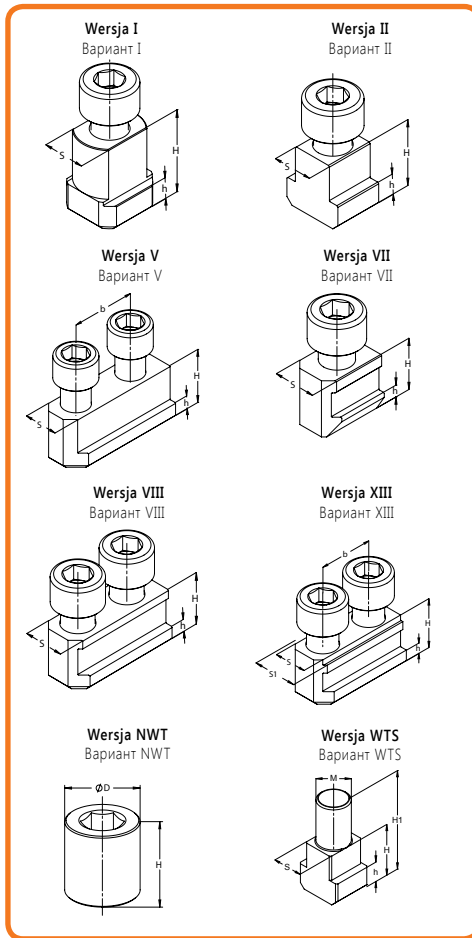


- 1
- 2
- 3
- 4
- 5
- 6
- 7
- D



**WKŁADKI TEOWE**  
 Т-ОБРАЗНЫЕ ВКЛАДКИ

**KONFIGURACJA POJEDYŃCZA LUB PODWÓJNA**  
 ОДИНАРНАЯ ИЛИ ДВОЙНАЯ КОНФИГУРАЦИЯ

| Nr produktu<br>Код продукта | BISON Typ<br>BISON Type | Wersja<br>Вариант | S/S <sub>166</sub> | H    | h   | b  | Śruby<br>Винты |     | Nm* |
|-----------------------------|-------------------------|-------------------|--------------------|------|-----|----|----------------|-----|-----|
|                             |                         |                   |                    |      |     |    |                |     |     |
| 398522891300                | WTF13-14/17xM12-01      | XIII              | 14/17              | 20,5 | 7,5 | 25 | M 12 x 30      | 70  |     |
| 398522845500                | WTF05-14xM12-01         | V                 | 14                 | 20,5 | 8,5 | 25 | M 12 x 30      | 70  |     |
| 398522846800                | WTF05-14xM12-02         | V                 | 14                 | 22   | 8,5 | 25 | M 12 x 30      | 70  |     |
| 398522847000                | WTF05-14xM12-03         | V                 | 14                 | 24,5 | 8,5 | 25 | M 12 x 35      | 70  |     |
| 398522803200                | WTF01-14xM10-01         | I                 | 14                 | 25,5 | 8,5 | -  | M 10 x 35      | 50  |     |
| 398522848300                | WTF05-16xM12-01         | V                 | 16                 | 21,5 | 8,5 | 30 | M 12 x 30      | 70  |     |
| 398522849600                | WTF05-16xM12-02         | V                 | 16                 | 23,0 | 8,0 | 30 | M 12 x 30      | 70  |     |
| 398522850300                | WTF05-16xM12-03         | V                 | 16                 | 24,5 | 8,5 | 30 | M 12 x 35      | 70  |     |
| 398522851600                | WTF05-16xM12-04         | V                 | 16                 | 26,5 | 8,5 | 25 | M 12 x 35      | 70  |     |
| 398522892600                | WTF13-16/17xM12-01      | XIII              | 16/17              | 26,5 | 10  | 30 | M 12 x 35      | 70  |     |
| 398522168000                | WTS 16                  | WTS               | 16                 | 26,7 | 12  | -  | M 16           | 250 |     |
| 398522163700                | NWT 16                  | NWT               | -                  | 25   | -   | -  | M 16           | 250 |     |
| 398522872200                | WTF07-17xM12-01         | VII               | 17                 | 20,5 | 7,5 | -  | M 12 x 25      | 70  |     |
| 398522876300                | WTF08-17xM12-01         | VIII              | 17                 | 20,5 | 7,5 | 22 | M 12 x 25      | 70  |     |
| 398522805800                | WTF01-17xM12-02         | I                 | 17                 | 22,0 | 9   | -  | M 12 x 30      | 70  |     |
| 398522806000                | WTF01-17xM12-03         | I                 | 17                 | 22,0 | 9   | -  | M 12 x 25      | 70  |     |
| 398522852900                | WTF05-17xM12-01         | V                 | 17                 | 21,5 | 9   | 19 | M 12 X 25      | 70  |     |
| 398522806000                | WTF01-17xM12-03         | I                 | 17                 | 22   | 9   | -  | M 12 X 25      | 70  |     |
| 398522823600                | WTF02-17xM12-01         | II                | 17                 | 22,3 | 8,3 | -  | M 12 x 30      | 70  |     |

Ø 165 - 200 mm

\* Max. dopuszczalny moment dokręcania \* Макс. допустимый момент затяжки

WT