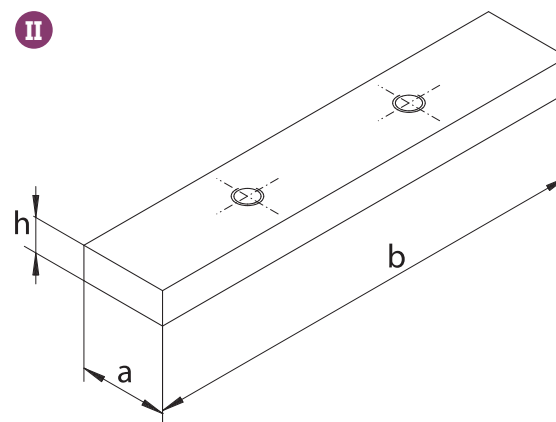
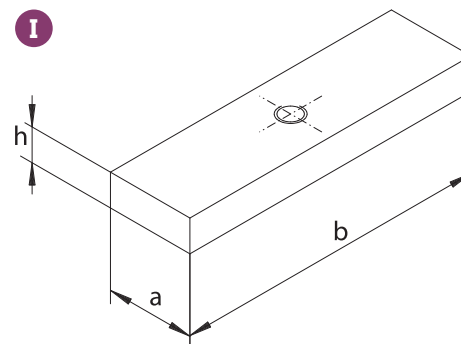


Nr produktu	Do typu	Wersja	a	b	h
Код продукта	Для типа	Вариант			
398342090500	1114-16P	I	10,5	36	4,5
398342090500	1114-16P-L	I	10,5	36	4,5
398342090500	1115-16P	I	10,5	36	4,5
398342090500	1115-16P-L	I	10,5	36	4,5
398342080300	1114-20P	I	13,5	47	5,0
398342080300	1114-20P-L	I	13,5	47	5,0
398342070100	1114-30P	I	17,5	59	8,0
398342070100	1114-30P-L	I	17,5	59	8,0
398342070100	1114-30L	I	17,5	59	8,0
398342070100	1114-30L-L	I	17,5	59	8,0
398342070100	1133-30P	I	17,5	59	8,0
398342070100	1133-30L	I	17,5	59	8,0
398342070100	1115-30P	I	17,5	59	8,0
398342070100	1115-30P-L	I	17,5	59	8,0
398342070100	1115-30L	I	17,5	59	8,0
398342070100	1115-30L-L	I	17,5	59	8,0
398342070100	1134-30P	I	17,5	59	8,0
398342070100	1134-30L	I	17,5	59	8,0
398342120300	1124-30P	II	17,5	89	8,0
398342120300	1124-30P-L	II	17,5	89	8,0
398342120300	1125-30L	II	17,5	89	8,0
398342120300	1124-30L-L	II	17,5	89	8,0
398342120300	1125-30P	II	17,5	89	8,0
398342120300	1125-30P-L	II	17,5	89	8,0
398342120300	1124-30L	II	17,5	89	8,0
398342120300	1125-30L-L	II	17,5	89	8,0
398342040600	1133-40P	I	21,2	72	8,0
398342040600	1134-40P	I	21,2	72	8,0
398342030400	1114-40P	I	21,5	72	8,0
398342030400	1114-40L	I	21,5	72	8,0
398342030400	1133-40L	I	21,5	72	8,0
398342030400	1115-40P	I	21,5	72	8,0
398342030400	1115-40L	I	21,5	72	8,0
398342030400	1134-40L	I	21,5	72	8,0
398342110100	1124-40P	II	21,5	105	8,0
398342110100	1124-40L	II	21,5	105	8,0
398342110100	1125-40P	II	21,5	105	8,0
398342110100	1125-40L	II	21,5	105	8,0
398342010000	1133-50P	I	23,7	83	8,0
398342010000	1134-50P	I	23,7	83	8,0
398342020200	1133-50L	I	24,2	83	8,0
398342020200	1134-50L	I	24,2	83	8,0
398342000900	1114-50P	I	24,5	83	8,0
398342000900	1114-50L	I	24,5	83	8,0
398342000900	1115-50P	I	24,5	83	8,0
398342000900	1115-50L	I	24,5	83	8,0
398342100000	1124-50P	II	24,5	113	8,0
398342100000	1124-50L	II	24,5	113	8,0
398342100000	1125-50P	II	24,5	113	8,0
398342100000	1125-50L	II	24,5	113	8,0

PODKŁADKA
ФИКСИРУЮЩАЯ ПЛАНКА


- 1
- 2
- 3
- 4
- 5
- 6
- 7